

## welters Occasional Table



CEO Keith Welters at the January Furniture Show

**welters**<sup>®</sup> recently attended the January Furniture Show at the NEC, where Company Founder Keith Welters showcased a new Occasional Table design. The table is elegantly proportioned and manufactured in decorative cast stone and polished black granite.

The January Furniture Show is an annual event attracting more than 20,000 furniture and interiors professionals and is the largest industry gathering in the UK

The Occasional Table is available for trade and general public, please contact welters for further information [admin@welters-worldwide.com](mailto:admin@welters-worldwide.com)

**welters**<sup>®</sup> are approved members of the British Furniture Manufacturers Association.

The intellectual property contained within this document is the property of welters®



**welters®**  
ORGANISATION  
WORLDWIDE  
Design and Innovation

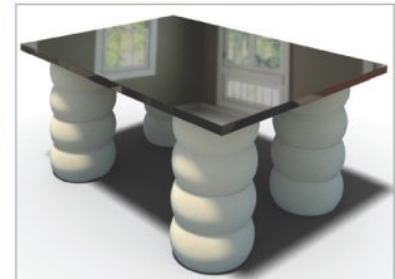
PO Box 159, Carlisle, Great Britain, CA2 5BG  
Website: [www.welters-worldwide.com](http://www.welters-worldwide.com)  
Email: [admin@welters-worldwide.com](mailto:admin@welters-worldwide.com)

### Occasional Table



Occasional table with polished granite top and decorative stone legs

Page 1 of 1



Click to visit [welters furniture website](http://welters.com)

The post [welters Occasional Table](#) appeared first on [Latest News](#).

[welters whatsits – innovation by design](#)

The intellectual property contained within this document is the property of welters®



# welters® whatsits innovation *by design*

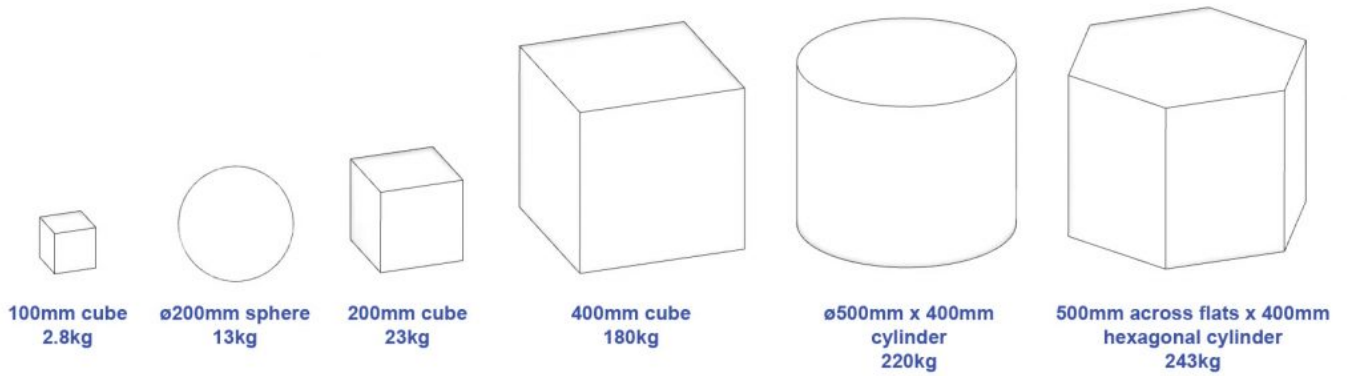
[www.welters-worldwide.com](http://www.welters-worldwide.com)



The designs on the clothing worn by the characters can be seen at London Fabric 2017 at Stamford Bridge Chelsea

**welters® whatsits** are a versatile selection of geometric shapes manufactured from the finest marble, creating stunning design possibilities for indoor and outdoor furniture arrangements.





REPRESENTING THE INDUSTRY

# British Furniture Manufacturers

You can see **welters® whatsits** on the **BFM stand** at the **January Furniture Show, NEC Sunday 22 – wed 25 January 2017**

The post [welters whatsits – innovation by design](#) appeared first on [Latest News](#).