

# Creative and Original

## Interment and Memorial Specialists Inspired Products and Services

- Marketing and promotional services
- Maintenance support services
- Training services
- Design, Manufacture, Install
- High water table installations
- Emergency burial chamber installation
- Shallow grave solution
- Installation, construction and drainage
- Inscription services
- Cemetery and facilities management
- Interment and sealing up services
- Part and fully funded schemes

# welters®

ORGANISATION  
WORLDWIDE

DESIGN AND MANAGEMENT CONSULTANTS  
RESEARCH, DEVELOPMENT AND  
MANUFACTURING

**INNOVATION BY DESIGN**

### Creative and Original

- Burial Chambers
- Memorial Housing Systems
- Community Mausolea
- Family Mausolea
- Cremated Remains Interment
- Associated products

[www.welters-worldwide.com](http://www.welters-worldwide.com)

welters® is pleased to announce the awarding of multiple contracts over the

past few months to supply and install their burial chambers, memorial housing and mausoleum designs to Local Authorities based in the Midlands and Greater London areas. The company has many years proven experience in delivering projects to Municipal and Private Burial Authorities nationwide and can demonstrate their competitive edge when it comes to price, pedigree of design and quality of product.

### **Innovation by Design**

As well as their established product designs now in common use within the Industry, **welters®** are constantly striving to refine materials and manufacturing processes whilst adding new and innovative creations to their ever-expanding intellectual property stable. Maintaining this proactive approach to self investment and self development keeps the company ahead of the competition and a market leader within the Industry.

The post [Creative and Original](#) appeared first on [Latest News](#).

---

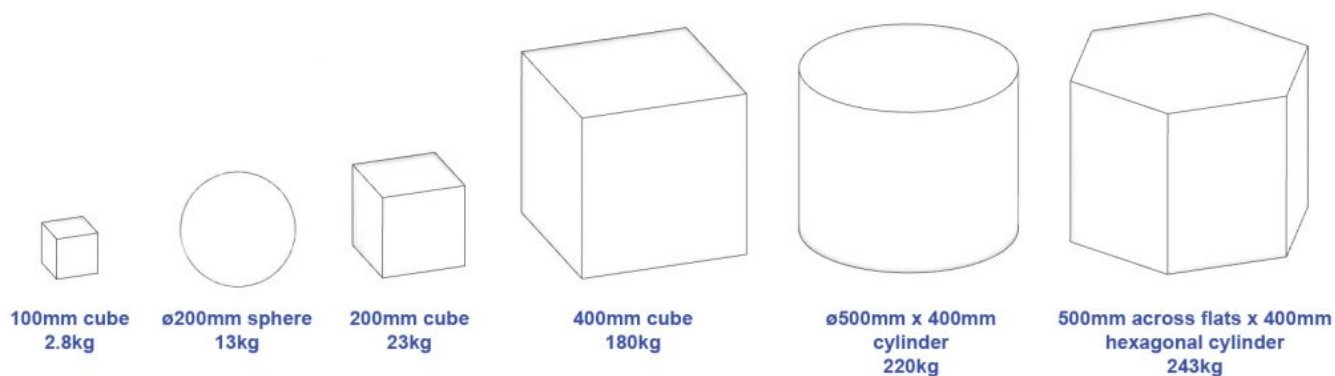
## [welters whatsits – innovation by design](#)

The intellectual property contained within this document is the property of welters®



The designs on the clothing worn by the characters can be seen at London Fabric 2017 at Stamford Bridge Chelsea

**welters® whatsits** are a versatile selection of geometric shapes manufactured from the finest marble, creating stunning design possibilities for indoor and outdoor furniture arrangements.



REPRESENTING THE INDUSTRY

# British Furniture Manufacturers

You can see **welters® whatsits** on the **BFM stand** at the **January Furniture Show, NEC Sunday 22 – wed 25 January 2017**

The post [welters whatsits – innovation by design](#) appeared first on [Latest](#)

---

## [WOW MANUFACTURING – Innovating since 1935](#)



**welters**®  
ORGANISATION  
WORLDWIDE  
Design and Innovation

[welters-worldwide.com](http://welters-worldwide.com)



With over 80 years of trading history, the **welters**® brand continues to dominate with leading designs and products for above and below ground interment and memorial systems and associated services to the Industry.

The post [WOW MANUFACTURING – Innovating since 1935](#) appeared first on [Latest News](#).