

News story: Chief of the Defence Staff strengthens UK – Romania Defence ties

He today welcomed to London General Nicolae-Ionel Ciucă, Chief of the General Staff of the Romanian Armed Forces, to discuss mutual interests and strengthen Defence ties. This follows Defence Secretary Sir Michael Fallon's [announcement](#) last year that the UK will send RAF Typhoon aircraft to Romania in support of the NATO Southern Air Policing mission.

General Ciucă and the Chief of the Defence Staff discussed the UK and Romania's partnership as members of NATO, UK deployments to Romania this year, and possible trade opportunities.

Chief of the Defence Staff Air Chief Marshal Sir Stuart Peach said:

The UK shares an important Defence relationship with Romania, both bilaterally, and as part of our membership of NATO.

I was pleased to welcome General Ciucă to the UK, and continue to recognise the key role Romania plays within the Alliance, including their commitment to increase defence spending to meet the 2% of GDP target this year.

To enable the UK's contribution to NATO Southern Air Policing, RAF Typhoons from RAF Coningsby will be based at Mihail Kogălniceanu Airbase for up to four months in 2017, the Defence Secretary said at the end of last year.

Additionally, as part of multinational NATO exercises, British land forces will deploy to Romania for various exercises this summer, demonstrating the Alliance's commitments on the south-eastern flank. Defence Engagement in 2017 will also include a Royal Navy Type 45 Destroyer visit to a Romanian port.

Chief of the Defence Staff Air Chief Marshal Sir Stuart Peach added:

Our deployments this year by land, in the air, and at sea, underline the UK's commitment to working within NATO alongside our Romanian friends.

The UK-Romania relationship was further strengthened by a [visit](#) last year by then Romanian Minister of National Defence Mihnea Motoc, who was hosted by the Defence Secretary.

During his visit General Ciucă is also due to visit the Northwood Headquarters, where he will meet senior UK military personnel from the Joint Forces Command and speak to Romanian officers based at the NATO Allied Maritime Command.

Government needs to live up to its moral and legal obligation to help people fleeing persecution and war – Diane Abbott

Diane Abbott MP, Labour's Shadow Home

Secretary, speaking in response to reports that plans by councils to settle refugees have stalled without Government resources, said:

“Many councils across the country are willing to step up and take their share of refugees. But they cannot provide the housing and services these incredibly vulnerable people need without adequate support from the Home Office.

“This Tory Government needs to live up to its moral and legal obligation to help people fleeing persecution and war.”

welters whatsits – innovation by design

The intellectual property contained within this document is the property of welters®



welters® whatsits innovation *by design*

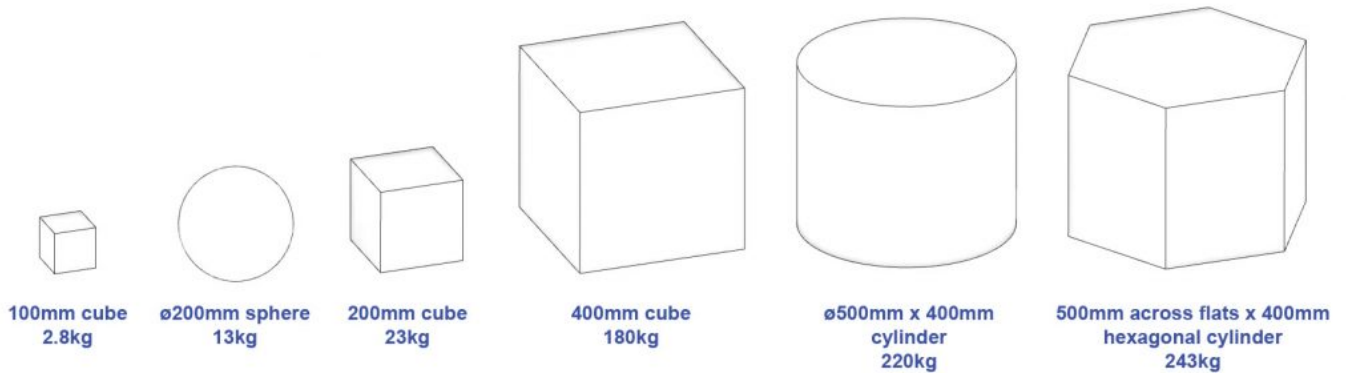
www.welters-worldwide.com



The designs on the clothing worn by the characters can be seen at London Fabric 2017 at Stamford Bridge Chelsea

welters® whatsits are a versatile selection of geometric shapes manufactured from the finest marble, creating stunning design possibilities for indoor and outdoor furniture arrangements.





REPRESENTING THE INDUSTRY

British Furniture Manufacturers

You can see **welters® whatsits** on the **BFM stand** at the **January Furniture Show, NEC Sunday 22 – wed 25 January 2017**

The post [welters whatsits – innovation by design](#) appeared first on [Latest News](#).

[Green Party: Government is ignoring climate change warning signs](#)



23 January 2017

The Green Party has responded to the revelation the Government tried to bury its own climate change report [1]. The UK Climate Change Risk Assessment Report warns of significant risk to food supplies, deaths during heatwaves doubling and infrastructure damage due to flooding.

Jonathan Bartley, Green Party co-leader, said:

“It’s astounding the Government appears to have tried to bury its own climate change report. Climate change is the single biggest threat we face. The effects predicted by the report aren’t minor inconveniences – people’s lives are in danger. It’s hugely alarming the Government is sweeping its own warnings under the rug and failing to provide leadership.

“The report was quietly published on January 18, the exact same day experts confirmed 2016 was the hottest year on record [2]. The evidence is overwhelming and the Government should be responding to this report and tackling climate change head on by backing a renewable energy revolution. There is simply no excuse for inaction.”

Notes:

1.
<http://www.independent.co.uk/environment/climate-change-risk-assessment-global-warming-government-accused-burying-report-a7540726.html>
2.
<https://www.greenparty.org.uk/news/2017/01/18/green-party-time-to-stop-breaking-records-and-start-making-change/>

[Tweet](#)

[Back to main news page](#)

[Let's block ads! \(Why?\)](#)

WOW MANUFACTURING – Innovating since 1935

WOW MANUFACTURING

Innovating since 1935

With over 80 years of trading history, the **welters**® brand continues to dominate with leading designs and products for above and below ground interment and memorial systems and associated services to the Industry.

welters®
ORGANISATION
WORLDWIDE
Design and Innovation

welters-worldwide.com



With over 80 years of trading history, the **welters**® brand continues to dominate with leading designs and products for above and below ground interment and memorial systems and associated services to the Industry.

The post [WOW MANUFACTURING – Innovating since 1935](#) appeared first on [Latest News](#).